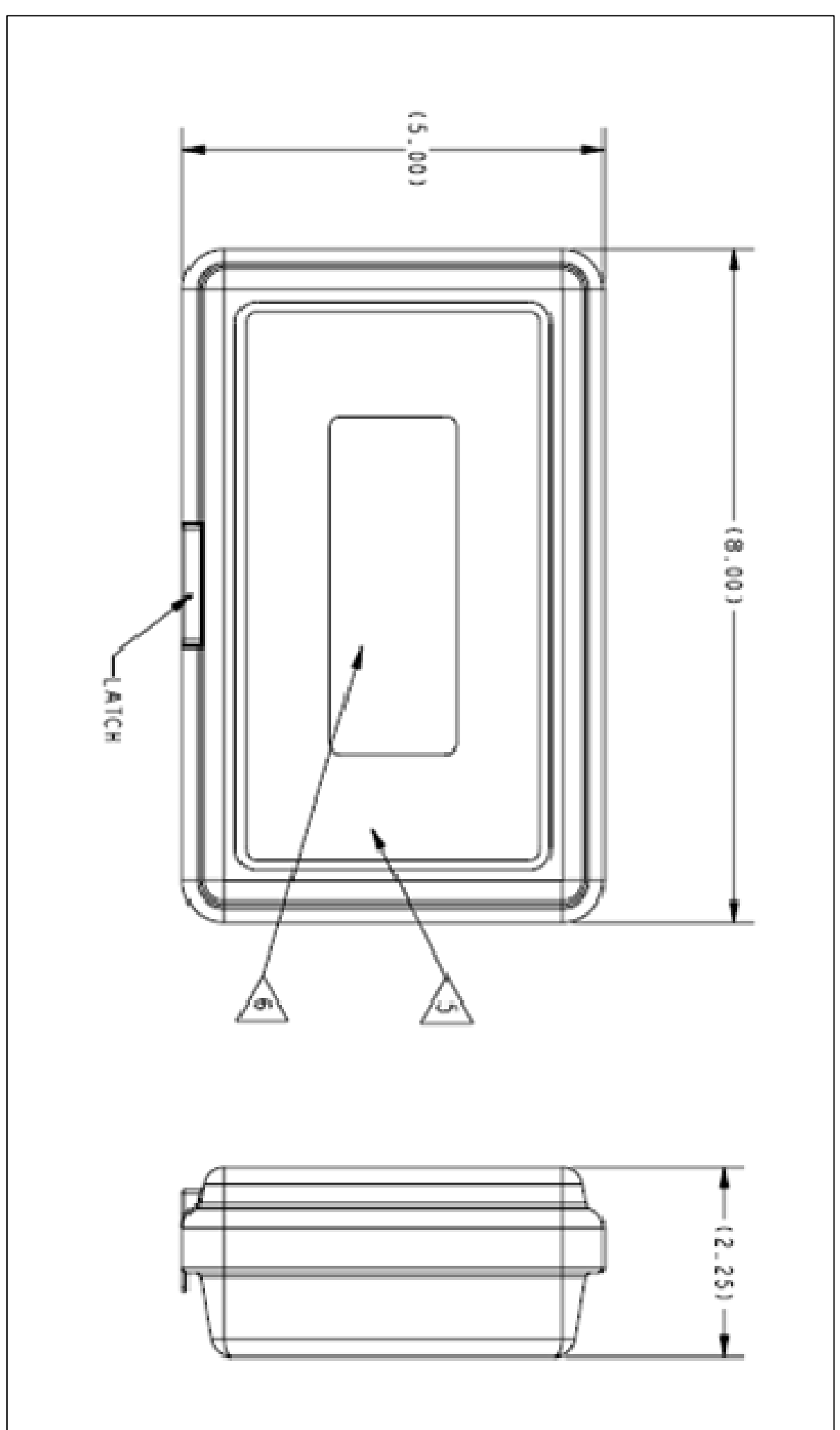


CATALOG NO.	DESCRIPTION	
HWDECASE	HW AND HX DIE CASE	

1. SPECIFICATION SUBJECT TO CHANGE WITHOUT NOTICE.



1	18024	12/10/12	INITIAL RELEASE	MMA	
REV.	ECN	DATE	DESCRIPTION	CHG BY	APPD BY

Created on AUTOCAD	
DIMENSIONING AND TOLERANCE PER ANSI Y14.5M-1982 UNLESS OTHERWISE SPECIFIED, DIMENSIONS ARE IN INCHES (MM). TOLERANCES .XX = ±.01 (.25) .XXX = ±.005 (.127) .XXXX = ±.0025 (.0635) ANGLE TOL ±1°	PROJECT REFERENCE: 2011-041 MATERIAL: SEE NOTES
IN ACCEPTING OUR DRAWINGS, BLUEPRINTS, OR SUPPORTING DOCUMENTATION FOR QUOTATION OR OTHER PURPOSES, YOU AGREE NOT TO DISCLOSE TO OTHERS THE IDEAS, INFORMATION, OR DESIGNS SHOWN HEREIN, AND THAT YOU WILL MAKE NO USE OF SAME WITHOUT PERMISSION	DRAWN BY: M. ABBY 12/06/12 CHECKED BY: APPROVED BY:

 Hubbell Premise Wiring HUBBELL INCORPORATED (Delaware) 23 CLARA DRIVE, SUITE 103 MYSTIC, CT 06355	
TITLE: HW AND HX PLASTIC DIE CASE	
SIZE: C	DRAWING NO. HW514205C
SCALE: N/A	SHEET 1 OF 1
REV. 1	